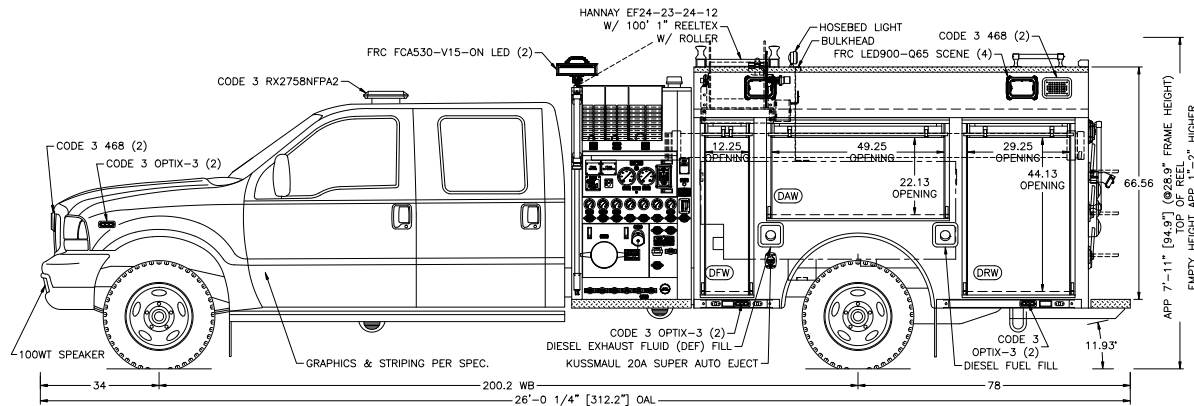
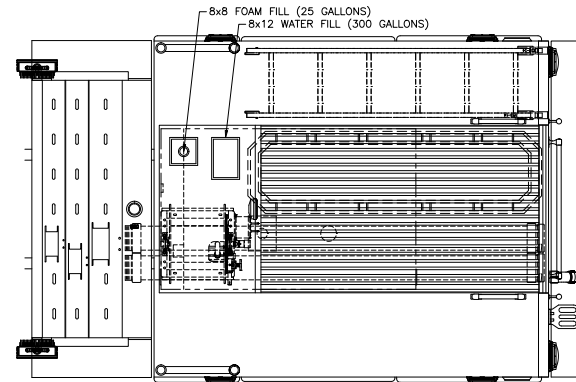


TREDBRITE TEXTURE NOT SHOWN IN TOP VIEW

REFERENCE SCALE IN INCHES

COMP.	HEIGHT	WIDTH	USABLE DEPTH		DIVIDE HEIGHT	FT*
			UPPER	LOWER		
DFW	52.12	16.88	—	22	28	11.20
DAW	30.12	59.75	—	22	—	22.92
DRW	52.12	32.00	—	22	28	21.24
PFW	52.12	16.88	—	22	28	11.20
PAW	30.12	59.75	—	22	—	22.92
PRW	52.12	32.00	—	22	28	21.24
R-1	28.00	48.00	—	32	—	24.89
HOSEBED	12.5	48	—	84	—	29.17
FRONT X-LAY	15	6.5	—	73.75	—	4.17
MIDDLE X-LAY	15	6.5	—	73.75	—	4.17
REAR X-LAY	15	9.5	—	73.75	—	6.09

LOCATION TO BE DETERMINED:
SINGLE SHELF TRACK (5 COMPARTMENTS)
20" ADJUSTABLE SHELF (6)



NOTE:
DIMENSIONS SHOWN ARE APPROXIMATE AND ARE SUBJECT TO MINOR CHANGE AS MAY BE FOUND NECESSARY DURING CONSTRUCTION. MINOR DETAILS MAY NOT BE SHOWN. IF DISCREPANCIES EXIST BETWEEN THIS DRAWING AND THE WRITTEN SPECIFICATIONS PROVIDED BY TOYNE, THE WRITTEN SPECIFICATIONS SHALL PREVAIL.

CHASSIS: FORD 550 4X4 CREWCAB	TOYNE FIRE APPARATUS	
WB-CA: 200.2"-84"-57"	BREDA, IOWA 51436	
BODY: ALUMINUM	9765 DEMO	
PUMP: HALE DSD 1250	QUICK ATTACK PUMPER	
TANK: 300/30 UPF POLY		
GENSET: N/A	SCALE: 1/55	CAD BY: SCHMCHR
FOAM: FOAM PRO 1600 "A	DATE: 22 JUL 2011	DISC: 9765DEMO-A